

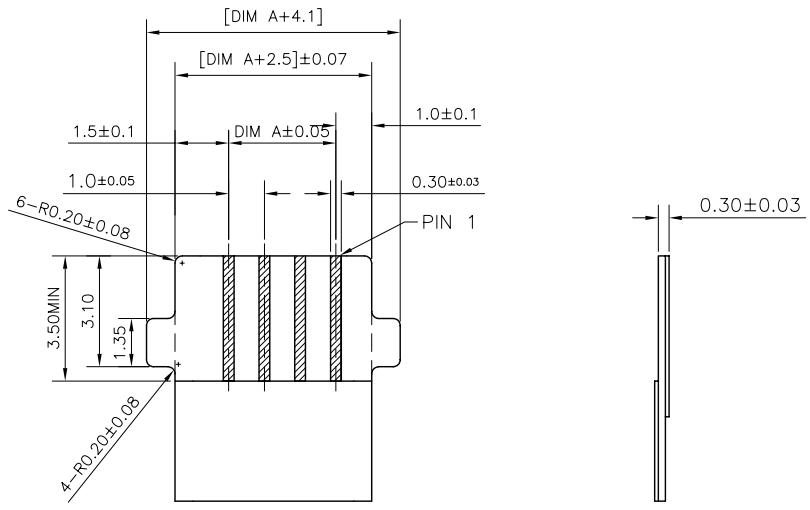
NOTES:

1. MATERIAL:
  - 1.1 HOUSING: THERMOPLASTIC, HIGH TEMP.,UL94V-0; COLOR:NATURAL.
  - 1.2 ACTUATOR: THERMOPLASTIC, HIGH TEMP.,UL94V-0; COLOR:BLACK.
  - 1.3 CONTACT: COPPER ALLOY
  - 1.4 FITTING NAIL: COPPER ALLOY
2. FINISH:
  - 2.1 CONTACT:50u" MIN. NICKEL PLATING OVERALL, GOLD FLASH PLATING,
  - 2.2 FITTING NAIL:50u" MIN. NICKEL UNDERPLATING OVERALL, 100u" MIN. MATT TIN PLATING.
3. REFLOW SOLDER CAPABLE TO 260°C PER ACES SPEC.
4. SPEC. PLS. REFER TO PS-51503-XXXXX-XXX.
5. PACKAGE PLS. REFER TO 51629-XXXXX-XX-TRP
6. PART NUMBER

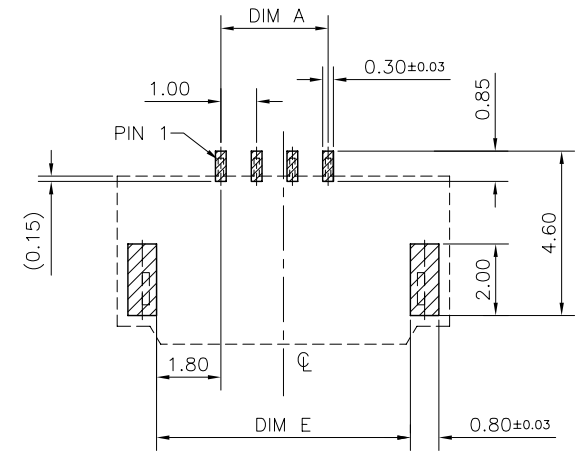
51629-XXX X X-XXX

NO OF CKT	HOUSING MATERIAL&COLOR	ACTUATOR MATERIAL&COLOR	HALOGEN FREE
	001 HF PLASTIC & NATURAL	HF PLASTIC & BLACK	<b>HF</b>
PACKING	PLATING		
0: TAPE & REEL	1: G/F L(LEAD FREE)		
4: TAPE & REEL WITH MYLAR			

一般公差 <b>TOLERANCES</b> X ±0.5 XX ±0.15 X ±0.25 XXX ±0.1 ANGLES ±2°		<b>宏致電子股份有限公司</b> Aces Electronics Co.,Ltd.			
檢驗尺寸標示 <b>SYMBOLS</b> <b>INDICATE CLASSIFICATION DIMENSION</b>	品名 (TITLE) 1.0mm Pitch Easy-on FPC Conn.SMT R/A B/C Type.	製圖 (DR) 14/01/23 BRAVE	審核 (CHKD) JERRY		
<b>MARK IS CRITICAL DIM.</b> <b>MARK IS MAJOR DIM.</b>	圖號 (DWG.NO) 51629-XXXXX-XXX	核准 (APPD) SIMON			
表面處理 (FINISH)	比例 (SCALE) 3:1	單位 (UNITS) mm		張數 (SHEET) 1 OF 2	
			尺寸 (SIZE) A4	版數 (REV) 0	



RECOMMENDED FPC/FFC DIMENSIONS  
GENERAL TOLERANCE ±0.1



RECOMMENDED PCB LAYOUT  
GENERAL TOLERANCE ±0.05

CKT	DIM A	DIM B	DIM C	DIM D	DIM E
4	3.00	5.57	7.70	9.30	7.10

一般公差 TOLERANCES X ±0.5 XX ±0.15 X ±0.25 XXX ±0.1 ANGLES ±2°		宏致電子股份有限公司 Aces Electronics Co.,Ltd.	
檢驗尺寸標示 SYMBOLS Ⓢ Ⓜ INDICATE CLASSIFICATION DIMENSION Ⓢ MARK IS CRITICAL DIM. Ⓜ MARK IS MAJOR DIM.	品名 (TITLE) 1.0mm Pitch Easy-on FPC Conn.SMT R/A B/C Type.	製圖 (DR) 14/01/23 BRAVE 審核 (CHKD) JERRY	圖號 (DWG.NO) 51629-XXXXX-XXX 核准 (APPD) SIMON
表面處理 (FINISH)	比例 (SCALE) 3:1	單位 (UNITS) mm	張數 (SHEET) 2 OF 2 尺寸 (SIZE) A4 版次 (REV) 0